

# A Tradie Trailer King Tradie Trailer Makes You More Money, Lets You Work Quickly And Efficiently



**LARGE**



**XL**



**GEN 3 XL**



**MAXI**



**XL UTE**



**MAXI UTE**



**SUPER  
TRADIE TRAILER**



**SKIP BIN  
TIPPER TRAILER**



**XL BOX TIPPER  
TRAILER**



**MAXI BOX TIPPER  
TRAILER**



**MAXI  
MOBILE OFFICE**



**KING KONG  
MOBILE OFFICE**



**MAXI  
MOBILE BATHROOM**



**KING KONG  
MOBILE BATHROOM**

**TRADIE TRAILER KING**



[www.tradietrailerking.com.au](http://www.tradietrailerking.com.au)

# OUR TRAILERS



**LARGE TRADIE TRAILER**



**XL TRADIE TRAILER**



**GEN 3 XL TRADIE TRAILER**



**XL UTE TRADIE TRAILER**



**MAXI TRADIE TRAILER**



**MAXI UTE TRADIE TRAILER**



**SUPER TRADIE TRAILER**



**SKIP BIN TRAILER**



**XL BOX TIPPER TRAILER**



**MAXI MOBILE OFFICE**



**KING KONG MOBILE OFFICE**



**MAXI MOBILE BATHROOM**



**KING KONG MOBILE BATHROOM**

# CONTENTS

---

<b>LARGE TRADIE TRAILER</b> .....	<b>3</b>
<b>XL TRADIE TRAILER</b> .....	<b>5</b>
<b>GEN 3 XL TRADIE TRAILER</b> .....	<b>7</b>
<b>XL UTE TRADIE TRAILER</b> .....	<b>9</b>
<b>MAXI TRADIE TRAILER</b> .....	<b>11</b>
<b>MAXI UTE TRADIE TRAILER</b> .....	<b>13</b>
<b>SUPER TRADIE TRAILER</b> .....	<b>15</b>
<b>SKIP BIN TRAILER</b> .....	<b>17</b>
<b>XL BOX TIPPER TRAILER</b> .....	<b>19</b>
<b>MAXI BOX TIPPER TRAILER</b> .....	<b>21</b>
<b>MAXI MOBILE OFFICE</b> .....	<b>23</b>
<b>KING KONG MOBILE OFFICE</b> .....	<b>25</b>
<b>MAXI MOBILE BATHROOM</b> .....	<b>27</b>
<b>KING KONG MOBILE BATHROOM</b> .....	<b>29</b>
<b>PHOTO GALLERY</b> .....	<b>31</b>
<b>AT THE FACTORY</b> .....	<b>41</b>
<b>CUSTOMER TESTIMONIALS</b> .....	<b>43</b>
<b>CUSTOMER TRAILER GALLERY</b> .....	<b>45</b>
<b>FREQUENTLY ASKED QUESTIONS</b> .....	<b>55</b>



**8 x 5'**  
**STORAGE**

# LARGE TRADIE TRAILER

Large Tradesman Trailer Starting From Just \$16,990 + GST  
Or Around \$79 Per Week, with huge 8 x 5' storage.

## \$16,990 + GST \$79/W FINANCE

### **UPGRADE 1** Solar Package, 240 Volt and Water Tank Upgrade \$2,990+GST

- ✓ Same Base Features And Specifications As Above Plus:
- ✓ Under Trailer 80 Litre Water Tank And Draw Bar Mounted Tap
- ✓ Solar Panel
- ✓ 240v Inlet
- ✓ 240v Outlet x 2
- ✓ 2000w Invertor And Charger

### **UPGRADE 2** Raptor Package with Independent Suspension and 17 inch Wheels \$1,990+GST

- ✓ Raptor Package With Independent Suspension And 17 Inch Wheels Upgrade:
- ✓ Same Base Features And Specifications As Large Tradie Trailer Standard Package Above Plus:
- ✓ Upgraded 17 Inch Alloy Wheels And All Terrain Tyres
- ✓ Independent Suspension



**3 To Take The Next Step Today, Call Us On 1300 191 959**

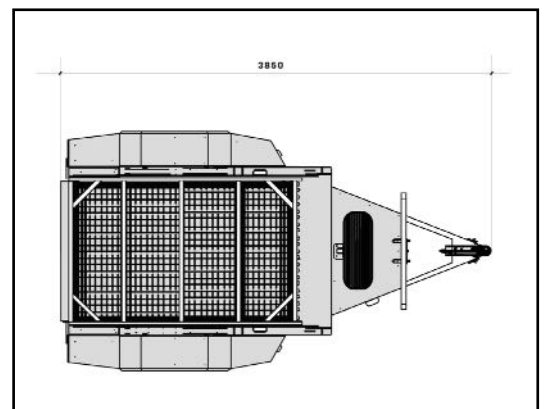
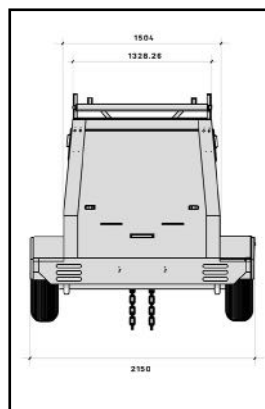
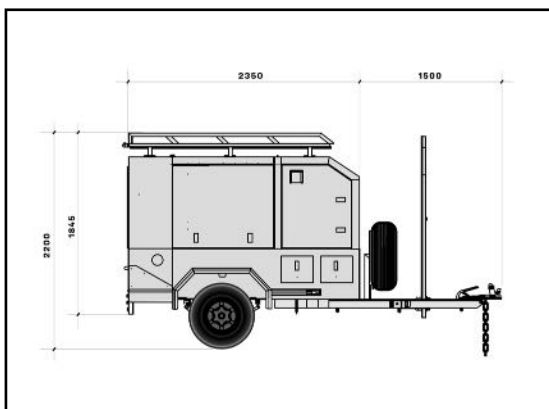
## Photo Gallery



**Large Tradesman Trailer – \$16,990+GST or around \$79 per week finance – inclusions:**

FEATURES	INCLUSIONS	FEATURES	INCLUSIONS
Easy to tow design	✓	Electric brakes	✓
Light yet strong	✓	Lockable and secure	✓
Large size	✓	Heavy duty steel fridge slide	✓
Easy to wash and clean	✓	Super strong body	✓
Single Axle	✓	Internal lighting	✓
Fire extinguisher and fire blanket	✓	12 volt batteries inside	✓
15 inch 4WD rims and tyres	✓	Underfloor storage	✓
Galvanised chassis and draw bar then powder coated	✓	12-month workmanship warranty	✓
Solid axles	✓	Dedicated after sales help and support	✓
Easy to apply, no deposit and finance available	✓	Easy add-on equipment	✓
Light weight	✓	Ready to operate hand brake	✓
3 minute on site set up	✓	Modern slimline LED lighting	✓
Commercial grade high quality	✓	And much, much more....	✓

## Large Tradie Trailer Specifications





# **XL TRADIE TRAILER**

*XL Tradesman Trailer Starting From Just \$19,990 + GST,  
Or Around \$99 Per Week, with huge 9.6 x 5' storage.*

## **\$19,990 + GST \$99/W FINANCE**

### **UPGRADE 1 Solar Package, 240 Volt and Water Tank Upgrade \$2,990+GST**

- ✓ Same Base Features And Specifications As Above Plus:
- ✓ Under Trailer 80 Litre Water Tank And Draw Bar Mounted Tap
- ✓ Solar Panel
- ✓ 240v Inlet
- ✓ 240v Outlet x 2
- ✓ 2000w Invertor And Charger

### **UPGRADE 2 Raptor Package with Independent Suspension and 17 inch Wheels \$3,990+GST**

- ✓ Raptor Package With Independent Suspension And 17 Inch Wheels Upgrade:
- ✓ Same Base Features And Specifications As Large Tradie Trailer Standard Package Above Plus:
- ✓ Upgraded 17 Inch Alloy Wheels And All Terrain Tyres
- ✓ 4 Wheel Independent Suspension



**5 To Take The Next Step Today, Call Us On 1300 191 959**

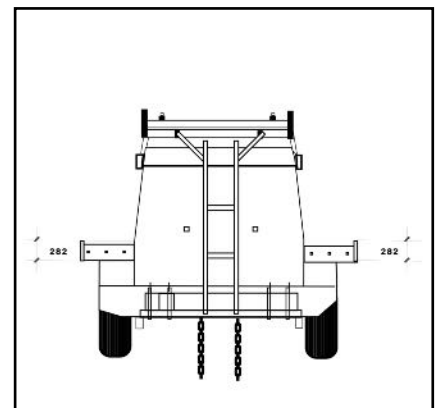
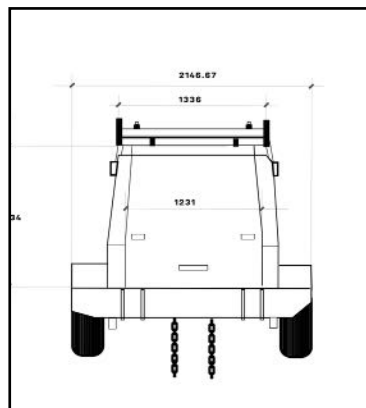
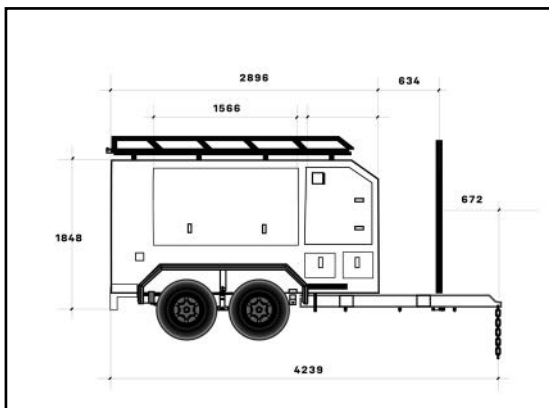
# Photo Gallery



## XL Tradesman Trailer – \$19,990+GST or around \$99 per week finance – inclusions:

FEATURES	INCLUSIONS	FEATURES	INCLUSIONS
XL size – 2150mm wide and 2900mm long	✓	12 volt batteries inside	✓
Easy to wash and clean	✓	Underfloor storage	✓
15 inch 4WD rims and 235/75 tyres	✓	12-month workmanship warranty	✓
Dual Axle	✓	Dedicated after sales help and support	✓
Fire extinguisher and fire blanket	✓	Easy add-on equipment	✓
Easy to apply, no deposit and finance available	✓	Ready to operate hand brake	✓
Light weight	✓	Modern slimline LED lighting	✓
3 minute on site set up	✓	4 wheel electric brakes	✓
Commercial grade high quality	✓	Super strong body	✓
Lockable and secure	✓	Internal lighting	✓

## XL Tradie Trailer Specifications





**9.6 x 5'**  
**STORAGE**

# GEN 3 XL TRAILER

Gen 3 XL Tradesman Trailer Starting From Just \$17,990 + GST,  
Or Around \$89 Per Week, with huge 9.6 x 5' storage.

## \$17,990 + GST \$89/W FINANCE

### **UPGRADE 1** Solar Package, 240 Volt and Water Tank Upgrade \$2,990+GST

- ✓ Same Base Features And Specifications As Above Plus:
- ✓ Under Trailer 80 Litre Water Tank And Draw Bar Mounted Tap
- ✓ Solar Panel
- ✓ 240v Inlet
- ✓ 240v Outlet x 2
- ✓ 2000w Invertor And Charger



## Photo Gallery



### Gen 3 XL Trailer – \$17,990+GST or around \$89 per week finance – inclusions:

FEATURES	INCLUSIONS	FEATURES	INCLUSIONS
XL size – 2900mm long x 2000mm wide x 2100mm high	✓	Easy to apply, no deposit and finance available	✓
Masses of internal storage	✓	Light weight	✓
Huge side access door	✓	3 minute on site set up	✓
Ready to set up however you want	✓	Commercial grade high quality	✓
Easy to wash and clean	✓	4 wheel electric brakes	✓
15 inch 4WD rims and 235/75 tyres	✓	Lockable and secure	✓
150mm heavy duty drawbar	✓	Super strong body	✓
Roof racks as standard	✓	4 wheel electric brakes	✓
Double hot dip galvanized chassis	✓	Super strong body	✓
Dual Axle	✓	12-month manufacturer's warranty	✓



**9.6 x 5'**  
**STORAGE**

# **XL UTE TRADIE TRAILER**

XL Ute 2900mm Long, 9.6 x 5' Storage, Starting From Just \$19,990 + GST Or Around \$99 Per Week On Finance

## **\$19,990 + GST \$99/W FINANCE**

### **UPGRADE 1 Solar Package, 240 Volt and Water Tank Upgrade \$2,790+GST**

- ✓ Same Base Features And Specifications As Above Plus:
- ✓ Under Trailer 80 Litre Water Tank And Draw Bar Mounted Tap
- ✓ Solar Panel
- ✓ 240v Inlet
- ✓ 240v Outlet x 2
- ✓ 2000w Invertor And Charger

### **UPGRADE 2 Raptor Package with Independent Suspension and 17 inch Wheels \$3,990+GST**

- ✓ Raptor Package With Independent Suspension And 17 Inch Wheels Upgrade:
- ✓ Same Base Features And Specifications As Large Tradie Trailer Standard Package Above Plus:
- ✓ Upgraded 17 Inch Alloy Wheels And All Terrain Tyres
- ✓ 4 Wheel Independent Suspension



**9 To Take The Next Step Today, Call Us On 1300 191 959**

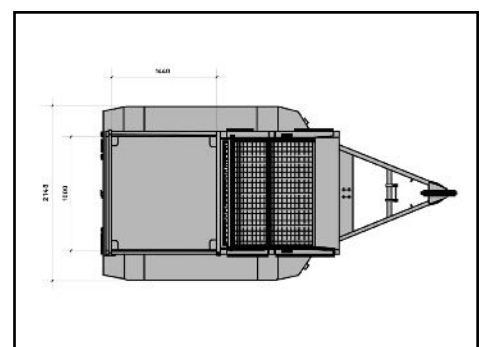
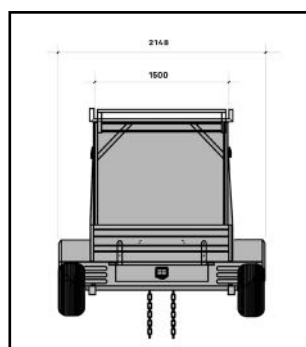
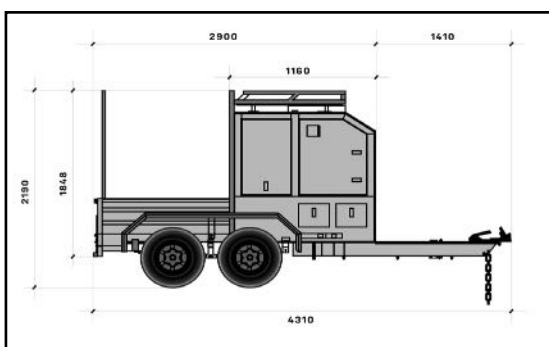
## Photo Gallery



### XL Ute Tradesman Trailer – \$19,990+GST or around \$99 per week finance – inclusions:

FEATURES	INCLUSIONS	FEATURES	INCLUSIONS
XL size ute trailer – 2150mm wide and 2900mm long (9.6 x 5 storage)	✓	Heavy duty steel fridge slide	✓
Easy to wash and clean	✓	Super strong body	✓
15 inch 4WD rims and 235/75 tyres	✓	Internal lighting	✓
Dual Axle	✓	12 volt batteries inside	✓
Fire extinguisher and fire blanket	✓	Underfloor storage	✓
Easy to apply, no deposit and finance available	✓	12-month workmanship warranty	✓
Light weight	✓	Dedicated after sales help and support	✓
Instant on site set up	✓	Easy add-on equipment	✓
Commercial grade high quality	✓	Ready to operate hand brake	✓
4 wheel electric brakes	✓	Modern slimline LED lighting	✓
Lockable and secure	✓	And much, much more....	✓

### XL Ute Tradie Trailer Specifications





# MAXI TRADIE TRAILER

Maxi Tradesman Trailer 3900mm Long, Massive 13 x 5' Storage, Starting From Just \$24,990 + GST Or Around \$129 Per Week On Finance

## \$24,990 + GST \$129/W FINANCE

### **UPGRADE 1** Solar Package, 240 Volt and Water Tank Upgrade \$2,990+GST

- ✓ Same Base Features And Specifications As Above Plus:
- ✓ Under Trailer 80 Litre Water Tank And Draw Bar Mounted Tap
- ✓ Solar Panel
- ✓ 240v Inlet
- ✓ 240v Outlet x 2
- ✓ 2000w Invertor And Charger

### **UPGRADE 2** Raptor Package with Independent Suspension and 17 inch Wheels \$3,990+GST

- ✓ Raptor Package With Independent Suspension And 17 Inch Wheels Upgrade:
- ✓ Same Base Features And Specifications As Large Tradie Trailer Standard Package Above Plus:
- ✓ Upgraded 17 Inch Alloy Wheels And All Terrain Tyres
- ✓ 4 Wheel Independent Suspension



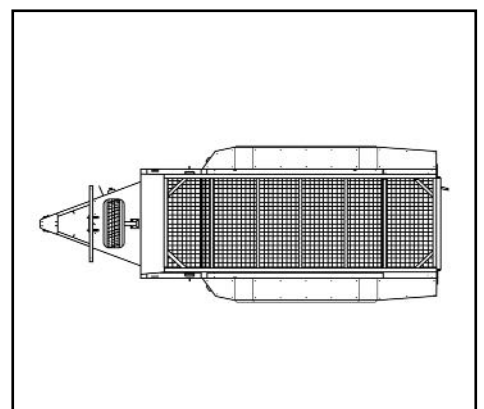
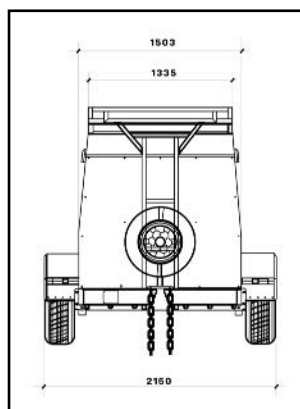
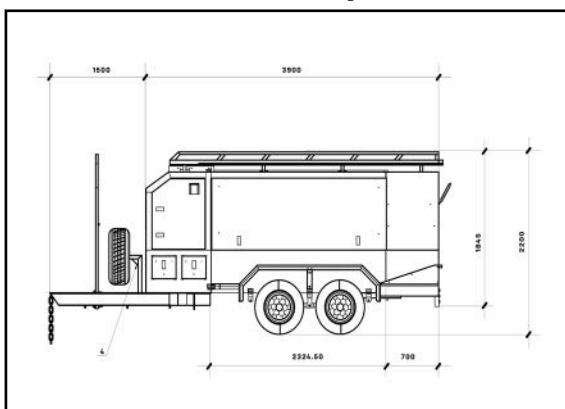
## Photo Gallery



### Maxi Tradesman Trailer – \$24,990+GST or around \$129 per week finance – inclusions:

FEATURES	INCLUSIONS	FEATURES	INCLUSIONS
Maxi size – 2150mm wide and 3900mm long (13 x 5 storage)	✓	Internal lighting	✓
Easy to wash and clean	✓	12 volt batteries inside	✓
15 inch 4WD rims and 235/75 tyres	✓	Underfloor storage	✓
Dual Axle	✓	12-month workmanship warranty	✓
Fire extinguisher and fire blanket	✓	Dedicated after sales help and support	✓
Easy to apply, no deposit and finance available	✓	Easy add-on equipment	✓
Light weight	✓	Ready to operate hand brake	✓
Instant on site set up	✓	Modern slimline LED lighting	✓
Commercial grade high quality	✓	Lockable and secure	✓
4 wheel electric brakes	✓	Super strong body	✓
Heavy duty steel fridge slide	✓	And much, much more....	✓

### Maxi Tradie Trailer Specifications





**13 x 5'**  
**STORAGE**

# MAXI UTE TRADIE TRAILER

Maxi Ute With 13 x 5' Storage, 3900mm Long, Starting From Just \$24,990 + GST Or Around \$129 Per Week On Finance

## **\$24,990 + GST \$129/W FINANCE**

### **UPGRADE 1 Solar Package, 240 Volt and Water Tank Upgrade \$2,790+GST**

- ✓ Same Base Features And Specifications As Above Plus:
- ✓ Under Trailer 80 Litre Water Tank And Draw Bar Mounted Tap
- ✓ Solar Panel
- ✓ 240v Inlet
- ✓ 240v Outlet x 2
- ✓ 2000w Invertor And Charger

### **UPGRADE 2 Raptor Package with Independent Suspension and 17 inch Wheels \$3,990+GST**

- ✓ Raptor Package With Independent Suspension And 17 Inch Wheels Upgrade:
- ✓ Same Base Features And Specifications As Large Tradie Trailer Standard Package Above Plus:
- ✓ Upgraded 17 Inch Alloy Wheels And All Terrain Tyres
- ✓ 4 Wheel Independent Suspension



**13 To Take The Next Step Today, Call Us On 1300 191 959**

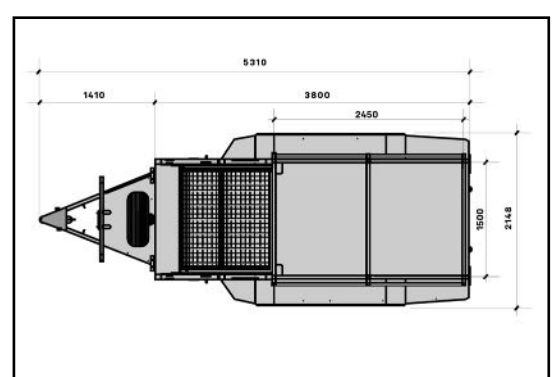
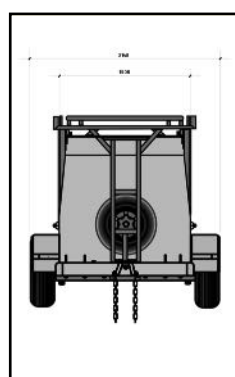
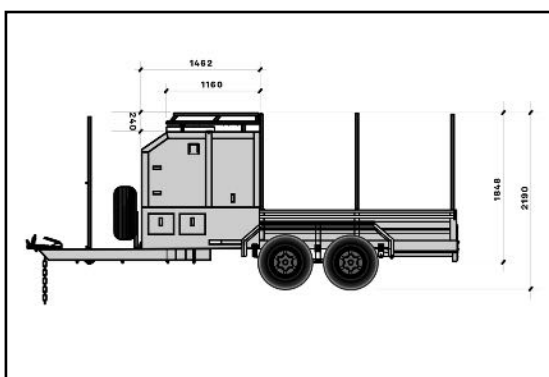
## Photo Gallery



**Maxi Ute – \$24,990+GST or around \$129 per week finance – inclusions:**

FEATURES	INCLUSIONS	FEATURES	INCLUSIONS
Maxi size ute 13 x 5 storage – 2150mm wide and 3900mm long	✓	Internal lighting	✓
Easy to wash and clean	✓	12 volt batteries inside	✓
15 inch 4WD rims and 235/75 tyres	✓	Underfloor storage	✓
Dual Axle	✓	12-month workmanship warranty	✓
Fire extinguisher and fire blanket	✓	Dedicated after sales help and support	✓
Easy to apply, no deposit and finance available	✓	Easy add-on equipment	✓
Light weight	✓	Ready to operate hand brake	✓
Instant on site set up	✓	Modern slimline LED lighting	✓
Commercial grade high quality	✓	Super strong body	✓
4 wheel electric brakes	✓	Lockable and secure	✓
Heavy duty steel fridge slide	✓	And much, much more....	✓

## Maxi Ute Tradie Trailer Specifications





**19 x 7'**  
**STORAGE**

# **SUPER TRADIE TRAILER**

Super Tradesman Trailer, Your Complete Mobile Workshop,  
Starting From Just \$29,990 + GST Or Around \$149 Per Week On Finance

## **\$29,990 + GST \$149/W FINANCE**

### **UPGRADE 1 Solar Package, 240 Volt and Water Tank Upgrade \$3,990+GST**

- ✓ Same Base Features And Specifications As Above plus:
- ✓ Under Trailer 80 Litre Water Tank And Draw Bar Mounted Tap
- ✓ Solar Panel
- ✓ 240v Inlet
- ✓ 240v Outlet x 2
- ✓ 2000w Invertor And Charger

### **UPGRADE 2 Raptor Package with Independent Suspension and 17 inch Wheels \$3,990+GST**

- ✓ Raptor Package With Independent Suspension And 17 Inch Wheels Upgrade:
- ✓ Same Base Features And Specifications As Large Tradie trailer Standard Package Above Plus:
- ✓ Upgraded 17 Inch Alloy Wheels And All Terrain Tyres
- ✓ 4 Wheel Independent Suspension

### **UPGRADE 4 Additional Toolbox \$1,990+GST**

- ✓ Additional Toolbox With Easy Access Storage Mounted To The Draw Bar So You Can Easily Get To Your Everyday Tools



## Photo Gallery



### Super Tradie Trailer – \$29,990+GST or around \$149 per week finance – inclusions:

FEATURES	INCLUSIONS	FEATURES	INCLUSIONS
Super size – 2.1m wide and 5.9m long (19 x 7 storage)	✓	Multiple power points and 240 inlet	✓
15 inch 4WD rims and 235/75 tyres	✓	Built in cabinetry and workbench	✓
Dual axle and heavy duty stabiliser legs	✓	Lockable drawers	✓
Laser cut, robot welded, double hot dipped galvanised chassis	✓	Hot water system and sink	✓
Easy to apply, no deposit and finance available	✓	Multiple tie down points	✓
Weight: 1500kg GTM 3490kg	✓	Huge double barn doors	✓
Commercial grade high quality	✓	Side access door	✓
Lockable and secure	✓	Heavy duty 150mm draw bar	✓
Super strong body	✓	Fire extinguisher and fire blanket	✓
Modern slimline LED lighting	✓	Easy add-on equipment	✓
12 volt batteries inside	✓	4 wheel electric brakes	✓



**4 M<sup>3</sup>**  
**STORAGE**

# **SKIP BIN TIPPER TRAILER**

Save skip hire fees on site by towing your own skip bin tipper trailer,  
Skip Bin Tipper Trailer \$11,990 + GST or around \$59 per week on finance

**\$11,990 + GST**

**\$59 PER WEEK ON FINANCE**

- ✓ Heavy duty skip bin trailer with 4 cubic meters/1200 kg load capacity
- ✓ Remote controlled hydraulic tipper
- ✓ Extra heavy duty reinforced floor
- ✓ Hot dipped galvanised steel trailer
- ✓ Opening back gate
- ✓ Lids with manual struts
- ✓ Spring loaded latches
- ✓ Heavy duty jockey wheel
- ✓ Slimline tool box
- ✓ Easy to access battery
- ✓ Safety bar
- ✓ Protected lights on the back of the trailer

# Photo Gallery





**10 x 6'**  
**STORAGE**

# ***XL BOX TIPPER TRAILER***

Make your life easier and save time on your jobs with the XL box tipper trailer

***\$12,990 + GST***

***\$65 PER WEEK ON FINANCE***

- ✓ *Removeable cage*
- ✓ *Built in ramps*
- ✓ *Remote controlled hydraulic tipper with 5 stage ramp*
- ✓ *Extra heavy duty reinforced floor*
- ✓ *Hot dipped galvanised steel trailer*
- ✓ *Heavy duty jockey leg*
- ✓ *Six stud Toyota Land Cruiser wheels with 12 inch electric brakes*
- ✓ *Spare wheel*
- ✓ *Tie down points*
- ✓ *Slimline tool box*
- ✓ *Slimline LED lights on the back of the trailer*
- ✓ *Easy to access battery*
- ✓ *Safety bar*
- ✓ *Optional Upgrade*

# Photo Gallery



**12x7'**  
**STORAGE**



# **MAXI BOX TIPPER TRAILER**

Make your life easier and save time on your jobs with the Maxi box tipper trailer

**\$13,990 + GST**

**\$69 PER WEEK ON FINANCE**

- ✓ Huge storage space
- ✓ Removeable cage
- ✓ Built in ramps
- ✓ Remote controlled hydraulic tipper with 5 stage ramp
- ✓ Extra heavy duty reinforced floor
- ✓ Hot dipped galvanised steel trailer
- ✓ Heavy duty jockey leg
- ✓ Six stud Toyota Land Cruiser wheels with 12 inch electric brakes
- ✓ Spare wheel
- ✓ Tie down points
- ✓ Slimline tool box
- ✓ Easy to access battery
- ✓ Safety bar
- ✓ Slimline LED lights on the back of the trailer

# Photo Gallery



**3.9X2.1M**  
**INTERNAL SPACE**



# **MAXI MOBILE OFFICE**

Maxi Mobile Office With 3.9 x 2.1m Internal Office Space, Starting From Just \$24,990 + GST Or Around \$129 Per Week On Finance

**\$24,990 + GST**

**\$129 PER WEEK ON FINANCE**

Are you tired of being tied down to a traditional office space? Need a flexible and convenient workspace that can travel with you? Look no further than our state-of-the-art Mobile Office Trailer.

Whether you're a remote worker, a business owner on the move, or a construction team in need of a temporary office, our Maxi Mobile Office Trailer is designed to meet all your needs.

Here's what makes our Mobile Office Trailer stand out:

**Mobility:**

Take your office with you wherever you go. Our trailer can be easily towed to any location, allowing you to work from anywhere. Spacious and Functional: Our Maxi Mobile Office offers ample space to accommodate your entire office setup. With multiple workstations, storage cabinets, and a comfortable kitchenette, you'll have all the room you need to work efficiently.

**Customizable Layout:**

We understand that every business has unique requirements. That's why our Mobile Office Trailer can be customized to meet your specific needs. Whether you need additional meeting rooms, a dedicated workspace, or a break area, we can create a layout that suits your business perfectly.

**Modern Amenities:**

Stay connected and productive with our Mobile Office Trailer. It is equipped with all the modern amenities you would find in a traditional office, including electrical outlets, optional heating and cooling systems, and more.

## Upgrade Option 1 – Gree roof mounted air conditioner \$3,800+GST

- ✓ Keep your office or workspace cool with a premium Gree air conditioner roof mounted so you lose no space inside your mobile office.
- ✓ Insulated panels keep the cool air in, making the air conditioning unit highly efficient

## Upgrade Option 2 – Fridge to suit the kitchenette \$890+GST

- ✓ Add a fridge to your mobile office to complete your kitchenette.
- ✓ With power points already installed, and a shelf for the microwave, complete your kitchenette with a fridge

### Photo Gallery



**5.9X2.1M**  
**INTERNAL SPACE**



# **KING KONG MOBILE OFFICE**

King Kong Mobile Office With 5.9 x 2.1m Internal Office Space, Starting From Just \$29,990 + GST Or Around \$149 Per Week On Finance

**\$29,990 + GST**

**\$149 PER WEEK ON FINANCE**

- ✓ **Mobility:** Take your office with you wherever you go. Our trailer can be easily towed to any location, allowing you to work from anywhere.
- ✓ **Spacious and Functional:** Our King Kong Mobile Office offers ample space to accommodate your entire office setup. With multiple workstations, storage cabinets, and a comfortable kitchenette, you'll have all the room you need to work efficiently.
- ✓ **Customizable Layout:** We understand that every business has unique requirements. That's why our Mobile Office Trailer can be customized to meet your specific needs. Whether you need additional meeting rooms, a dedicated workspace, or a break area, we can create a layout that suits your business perfectly.
- ✓ **Modern Amenities:** Stay connected and productive with our Mobile Office Trailer. It is equipped with all the modern amenities you would find in a traditional office, including electrical outlets, optional heating and cooling systems, and more.

## Upgrade Option 1 – Gree roof mounted air conditioner \$3,800+GST

- ✓ Keep your office or workspace cool with a premium Gree air conditioner roof mounted so you lose no space inside your mobile office.
- ✓ Insulated panels keep the cool air in, making the air conditioning unit highly efficient.

## Upgrade Option 2 – Fridge to suit the kitchenette \$890+GST

- ✓ Add a fridge to your mobile office to complete your kitchenette.
- ✓ With power points already installed, and a shelf for the microwave, complete your kitchenette with a fridge.

### Photo Gallery



**3.9X2.1M**  
**INTERNAL SPACE**



# **MAXI MOBILE BATHROOM**

Maxi Mobile Bathroom Trailer Starting From Just \$44,990 + GST  
Or Around \$229 Per Week On Finance

**\$44,990 + GST**

**\$229 PER WEEK ON FINANCE**

*Featuring luxurious amenities and top-notch cleanliness, our mobile bathroom trailer is designed to provide the utmost comfort and convenience. With spacious interiors, modern fixtures, and climate control, you and your guests will feel like you're using a restroom in a five-star hotel.*

*No more long queues or unsanitary conditions! Our mobile bathroom trailer is equipped with multiple stalls, sinks, and even a shower for those that need to freshen up.*

*Whether you're hosting a wedding, music festival, corporate event, or construction project, our mobile bathroom trailer is the perfect solution. It can be easily transported to any location, allowing you to provide your guests or workers with the comfort they deserve.*

*Don't compromise on hygiene and comfort any longer. Upgrade to the Maxi Mobile Bathroom Trailer today and experience the difference! Contact us now to elevate your restroom experience to a whole new level.*

## Photo Gallery



### Maxi Mobile Bathroom – \$29,990+GST or around \$149 per week finance – inclusions:

FEATURES	INCLUSIONS	FEATURES	INCLUSIONS
5.3m Long x 2.1m Wide (3.9 x 2.1m internal) with total height 2600mm	✓	Hot water tank	✓
Standard model – 2 x separate toilets with vanities and sinks in each	✓	Tanks are simply emptied	✓
Stone benchtops	✓	Portable steps	✓
Modern slimline coloured LED lighting	✓	Dual Axle	✓
Internal lighting	✓	Instant on site set up	✓
Stereo and internal speakers	✓	Ready to operate hand brake	✓
Fully air conditioned unit	✓	Commercial grade high quality	✓
Insulated panels	✓	4 wheel electric brakes	✓
Roof vents	✓	Lockable and secure	✓
Runs on 2 x 15 amp circuits	✓	Super strong body	✓
Fresh and grey water tanks	✓	12-month workmanship warranty	✓

**5.9X2.1M**  
**INTERNAL SPACE**



## **KING KONG MOBILE BATHROOM**

King Kong Mobile Bathroom Trailer Starting From Just \$58,990 + GST Or Around \$299 Per Week On Finance

**\$64,990 + GST**

**\$329 PER WEEK ON FINANCE**

Are you tired of settling for subpar restroom facilities at outdoor events or construction sites? Look no further! Our state-of-the-art mobile bathroom trailer is here to revolutionize your sanitation experience.

Featuring luxurious amenities and top-notch cleanliness, our mobile bathroom trailer is designed to provide the utmost comfort and convenience. With spacious interiors, modern fixtures, and climate control, you and your guests will feel like you're using a restroom in a five-star hotel.

No more long queues or unsanitary conditions! Our mobile bathroom trailer is equipped with multiple stalls, sinks, and even a shower for those that need to freshen up.

Whether you're hosting a wedding, music festival, corporate event, or construction project, our mobile bathroom trailer is the perfect solution. It can be easily transported to any location, allowing you to provide your guests or workers with the comfort they deserve.

Don't compromise on hygiene and comfort any longer. Upgrade to the King Kong Mobile Bathroom Trailer today and experience the difference! Contact us now to elevate your restroom experience to a whole new level.

# Photo Gallery



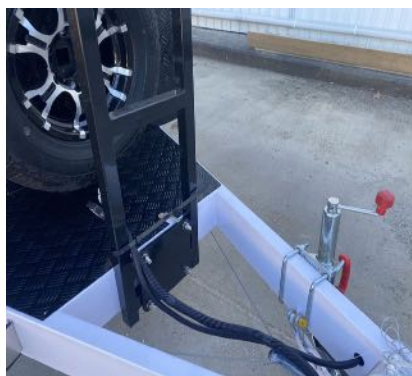
# PHOTO GALLERY

## LARGE TRADIE TRAILER



# PHOTO GALLERY

## LARGE TRADIE TRAILER



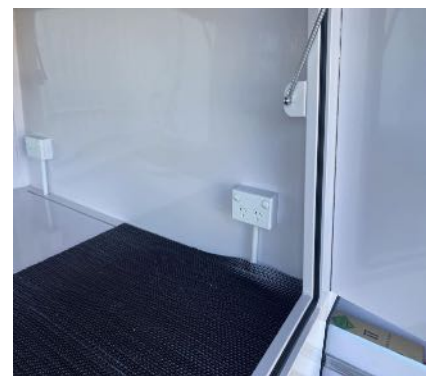
# PHOTO GALLERY

## XL TRADIE TRAILER



# PHOTO GALLERY

## XL TRADIE TRAILER



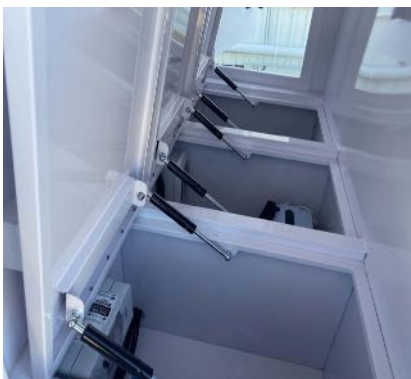
# PHOTO GALLERY

## XL UTE TRADIE TRAILER



# PHOTO GALLERY

## XL UTE TRADIE TRAILER



# PHOTO GALLERY

## MAXI TRADIE TRAILER



# PHOTO GALLERY

## MAXI TRADIE TRAILER



# PHOTO GALLERY

## MAXI UTE TRADIE TRAILER

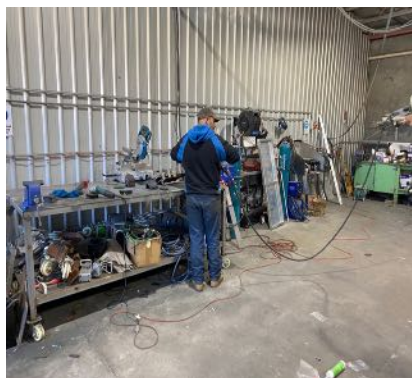


# PHOTO GALLERY

## MAXI UTE TRADIE TRAILER



# AT THE FACTORY



# AT THE FACTORY



# CUSTOMER TESTIMONIALS

**Andrew Langeluddecke** recommends Tradie Trailer King. 2h · 🌐

Ok I've had my Tradie Trailer King for a few months now and loving it. Quality built, easy to tow and back into position. Internal lights are so good on early morning starts or packing up late at night. The roller on the roof rack makes loading and unloading easy (can load 4 trestles at once now). Delivery to Townsville was a breeze, with the office letting me know when it was leaving and the truck driver kept in contact with his arrival time. The best bit is smoko time, with the fridge, microwave and coffee machine installed, we are the envy of all the tradies onsite 😊☕



**Che Shaw** recommends Tradie Trailer King. 16h · 🌐

Such a great trailer and great team to deal and communicate with. The trailer is solid and tough as and so much room and the team had it ready and sent off so quick. Thanks guys cheers

**Tradie Trailer King**

Like Comment Share Message

Comment as Tradie Trailer King

**Troy Nowlan** recommends Tradie Trailer King. 2d · 🌐

Recently purchased the XL trailer for my small business. Tows great, high quality workmanship, plenty of room for tools and stock. Handles well off road as well.

**Tradie Trailer King**

Like Comment Share Send message

Comment as Tradie Trailer King

# CUSTOMER TESTIMONIALS

**Rowan Parker** recommends Tradie Trailer King. 19h · 🌐

My Tradie trailer arrived and its a belter. I'm struggling to fill it, its that big. It looks incredible, tows like a dream. It Does everything need it to do. Turns many of heads on the road also. My only fault is the jockey wheel, It's too small for the size and weight of the trailer. 4.9 out of 5

Tradie Trailer King 2 comments

Like Comment Share Message

**Rowan Parker**



Like · Reply · Message · 19h

**Steve Shorten** recommends Tradie Trailer King. December 11, 2024 · 🌐

Having to actually spend our budget before the end of the financial year, we were reluctant to hand over \$23k up front. But I must admit the whole process was trouble free. Great quality product, every thing was as it was supposed to be. Happy customer 🙌





Like Comment Share

**Christopher Gamble** recommends Tradie Trailer King. 16h · 🌐

just received my xl trailer and cannot fault it  
I have had other box trailers and fitted them out and all have failed  
this trailer is spot on build quality and design are exactly what I needed



Comment as Tradie Trailer King

**Rob Taylor** They are amazing trailers  
I have had 2 descent tool trailers, the first from Carac in Melbourne and the second from a company in Shepparton, excellent but not a patch on yours

Like · Reply · Message · 10h

Author  
**Tradie Trailer King** Thanks Rob, appreciated!

Like · Reply · Commented on by Matt Buchel (?) · 1m

Reply as Tradie Trailer King

**Ernie Mc Mullen Jnr** recommends Tradie Trailer King. April 17 · 🌐

Hi I picked up my Maxi Ute trailer just before Christmas, I left it a bit last minute to put my order in but the guys at Tradie Trailer King were so helpful to get it done for me so I can pick it up just in time for Christmas.  
All the staff were great to deal with and very helpful, I would highly recommend anyone who is looking for tradie trailer to go no where else, great product, great service and great people.  
My new trailer has m... See more

1 comment

Like Comment Share

Most relevant

**Ernie Mc Mullen Jnr**



**Vince Robinson** recommends Tradie Trailer King. 3d · 🌐

Good design and quality build. Very happy with my trailer!

Tradie Trailer King 1 comment

Like Comment Share Message

Tradie Trailer King Thanks so much Vince, really appreciate it!

Like · Reply · Commented on by Matt Buchel (?) · 1m

Comment as Tradie Trailer King

# CUSTOMER TRAILERS GALLERY

---



**45 To Take The Next Step Today, Call Us On 1300 191 959**

# LUKE DWYER CARPENTRY MAXI TRAILER



# WAH RENDERING & DESIGN – XL TRAILER



## CIVIL CONSTRUCTION MAXI TRAILER



## SIMPLY HOME MODS MAXI TRAILER



# MIDLAND MOBILE WELDING MAXI TRAILER



# ALW CONTRACTING MAXI UTE TRAILER



# VOLUNTEER CONNECT LARGE TRAILER



# SINGER BUILDING XL TRAILER



# OSTWALD STEELE XL TRAILER



# COLOUR YOUR CASTLE XL TRAILER



# BLUE OCEAN BROS MAXI TRAILER



# CEILINGS AND WALLS XL TRAILER



# BYATT CONSTRUCTIONS XL TRAILER



# WESTERN DOWNS SES XL TRAILER



# ALL ABOVE EARTH POOLS AND LANDSCAPING MAXI TRAILER



# CLIP AND CRUISE MAXI MOBILE OFFICE



# TILE MASTERS MAXI TRAILER



# MAG TECH MAXI UTE TRAILER



# FREQUENTLY ASKED QUESTIONS



**LARGE TRADIE TRAILER**



**XL TRADIE TRAILER**



**GEN 3 XL  
TRADIE TRAILER**



**XL UTE  
TRADIE TRAILER**



**MAXI TRADIE TRAILER**



**MAXI UTE TRADIE TRAILER**



**SUPER TRADIE TRAILER**



**SKIP BIN TRAILER**



**XL BOX TIPPER TRAILER**



**MAXI MOBILE OFFICE**



**KING KONG MOBILE OFFICE**



**MAXI  
MOBILE BATHROOM**



**KING KONG  
MOBILE BATHROOM**

- Q1 Are the tradie trailers in stock?**
- Q2 Do you have a showroom I can come to see the tradie trailers?**
- Q3 Where is the nearest airport to your factory?**
- Q4 How long will it take for delivery?**
- Q5 Can I pick it up myself?**
- Q6 Where do you deliver to?**
- Q7 What is the delivery cost?**
- Q8 Who do you use for finance?**
- Q9 What do I need to get finance on a trailer?**
- Q10 How long does finance take?**
- Q11 How much deposit do I have to pay to start production?**
- Q12 Can I customise the trailer package?**
- Q13 Can I get my trailer signwritten by Tradie Trailer King?**
- Q14 How long will my order take to produce?**

## QUESTION #1

---

**Are the Tradie Trailers in stock?**

### ANSWER

There is always stock at the factory, although we cannot guarantee all models and package options are always available ready to send.

Best to email us at [office@tradietrailerking.com.au](mailto:office@tradietrailerking.com.au) and Matt can let you know what is currently in stock, and the lead time on your chosen model if they have already been sold.



## QUESTION #2

---

**Do you have a showroom I can come to see the Tradie Trailers?**

### ANSWER

Our factory and display is **103-109 Quarry Road, South Murwillumbah NSW**. We are open **Mon-Fri 8-4pm** and can often organise a viewing Saturday mornings by prior arrangement. Delivery Australia wide from our factory is super easy, we offer delivery for all of our models.



## **QUESTION #3**

---

**Where is the nearest airport to your factory?**

### **ANSWER**

We're around a 20 minute drive south from the Gold Coast airport. It's an easy drive down to the factory, lots of our customers fly in for the day (or weekend) to visit in person.

If you cant make it to the factory, no problems, we have video tours of all our trailers on our website.



## **QUESTION #4**

---

**How long will it take for delivery?**

### **ANSWER**

Delivery timeframe depends whether your trailer is already completed and in stock, which of the upgrade options you want, whether you're having your trailer signwritten etc, as well as your physical location.



## QUESTION #5

---

**Can I pick it up myself?**

---

### ANSWER

Yes, many people collect their tradie trailers directly from our factory, 103-109 Quarry Road, South Murwillumbah NSW.

You're more than welcome to pick up your trailer yourself and get a run down of the trailer face to face. We are open Mon- Fri 8-4pm.



## QUESTION #6

---

**Where do you deliver to?**

---

### ANSWER

Delivery is simple and easy, no matter where you're located in Australia. We only use select carriers that have specialised trucks set up to allow unloading without the need of a forklift.



## **QUESTION #7**

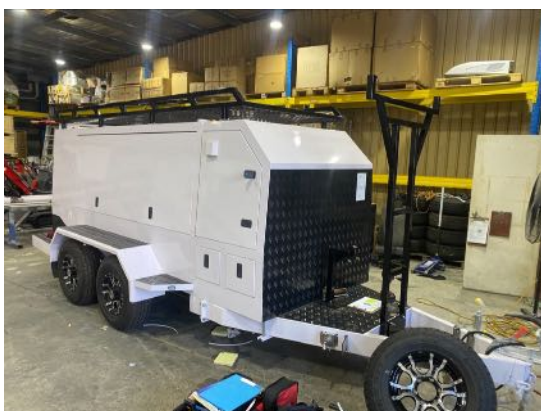
---

**What is the delivery cost?**

---

### **ANSWER**

Delivery cost varies with location, though we have a cost-effective solution via the fleet of specialist trucks. Please shoot us an email at [office@tradietrailerking.com.au](mailto:office@tradietrailerking.com.au) give us a call and we are able to provide pricing for your tradie trailer and delivery over the phone.



## **QUESTION #8**

---

**Who do you use for finance?**

---

### **ANSWER**

The finance is via a broker; the criteria for applicants is that you need to be a permanent resident or citizen, and either working PAYG, or have had income on an ABN either as a sole trader or through your company. Unfortunately Centrelink and Disability Pension do not qualify for finance.



## **QUESTION #9**

---

**What do I need to get finance on a trailer?**

### **ANSWER**

The finance is via a broker; the criteria for applicants is that you need to be a permanent resident or citizen, and either working PAYG, or have had income on an ABN either as a sole trader or through your company. Unfortunately Centrelink and Disability Pension do not qualify for finance.



## **QUESTION #10**

---

**How long does finance take?**

### **ANSWER**

Finance is simple, straightforward, takes a few minutes over the phone and you will generally get your approval very quickly once you submit your documents. We use specialised finance brokers to take care of the finance for our customers, they are experienced with dealing with our products, which makes the process quick and easy.



## QUESTION #11

---

**How much deposit do I have to pay to start production?**

### ANSWER

In most cases, no deposit is required if you're financing your tradie trailer. If you are paying directly up front, we take a deposit to prepare your order, then when your trailer is ready to send, you pay the balance.



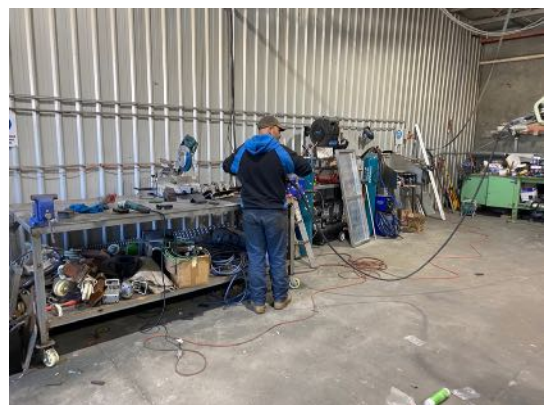
## QUESTION #12

---

**Can I customise the trailer package?**

### ANSWER

Of course. You are able to choose from our upgrade options so you get your perfect trailer and you're not paying for equipment you don't need. Our trailers come as a standard base model, and you're able to add a solar upgrade, independent suspension upgrade, and signwriting if you wish.



## QUESTION #13

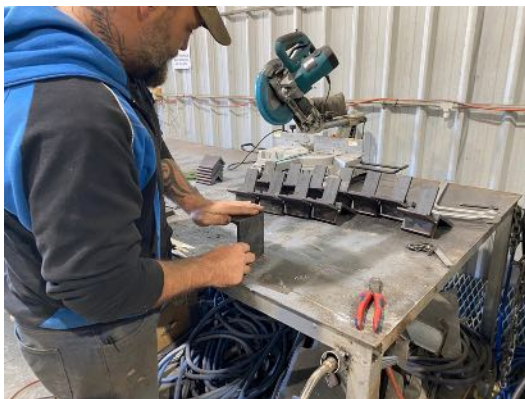
---

**Can I get my trailer signwritten by Tradie Trailer King?**

---

### ANSWER

Absolutely, you can add the signwriting upgrade. We have a design team that will help with all aspects of design from your logo if you don't yet have one, to the colour scheme and full design of the wrap.



## QUESTION #14

---

**How long will my order take to produce?**

---

### ANSWER

The lead time depends on a few variables, including the model, upgrades, whether you choose to have the trailer signwritten, how long it takes to design and sign off on your wrap, etc. Our team will keep you updated with photos and videos as your order progresses.







**[WWW.TRADIETRAILERKING.COM.AU](http://WWW.TRADIETRAILERKING.COM.AU)**

**1300 191 959**